

ADA Compliant

This Space for Architect/Engineer Approval

Job Name _____ Date _____

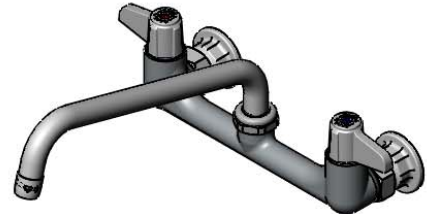
Model Specified _____ Quantity _____

Customer/Wholesaler _____

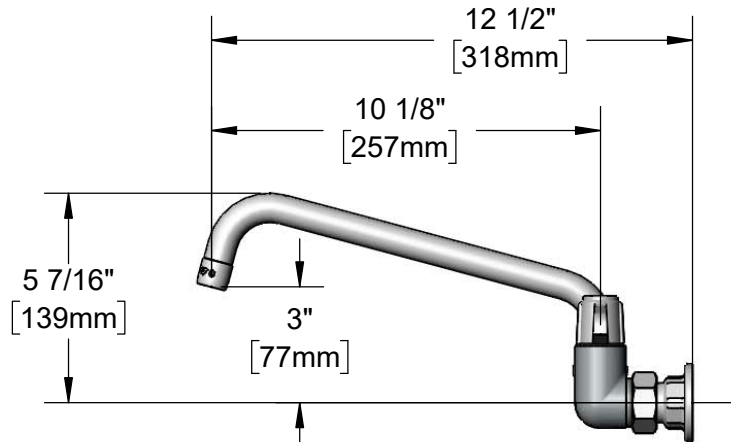
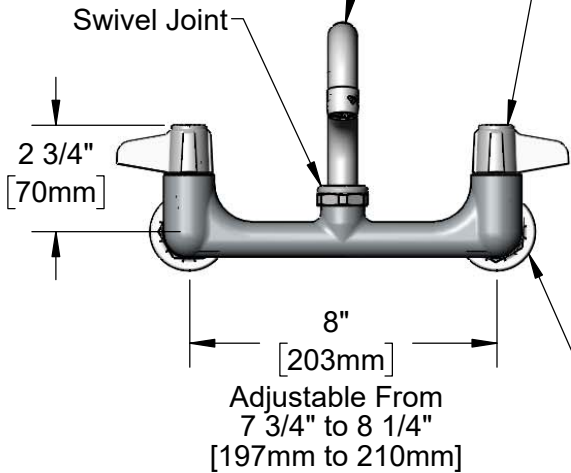
Contractor _____

Architect/Engineer _____

5SP-10
10" equip Swing Nozzle
w/ Laminar Flow Device.
Rigid Conversion Requires
014200-45 Lock Washer
(Sold Separately)

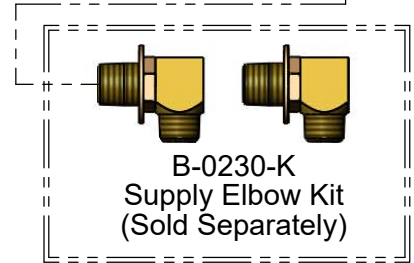


Quarter-Turn
Ceramic Cartridges &
equip Lever Handles
w/ Color Coded Screws



Ø 2" [51mm]
Flanges w/
1/2" NPT
Female Inlets

Mounting Surface



Model Number

5F-8WLX10

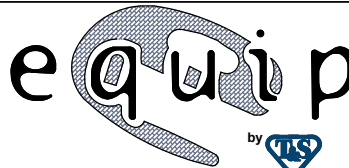
Product Specifications:

**8" Wall Mount Mixing Faucet, Quarter-Turn Ceramic Cartridges,
equip Lever Handles, 10" Swing Nozzle
& 1/2" NPT Female Inlets**

Product Compliance:

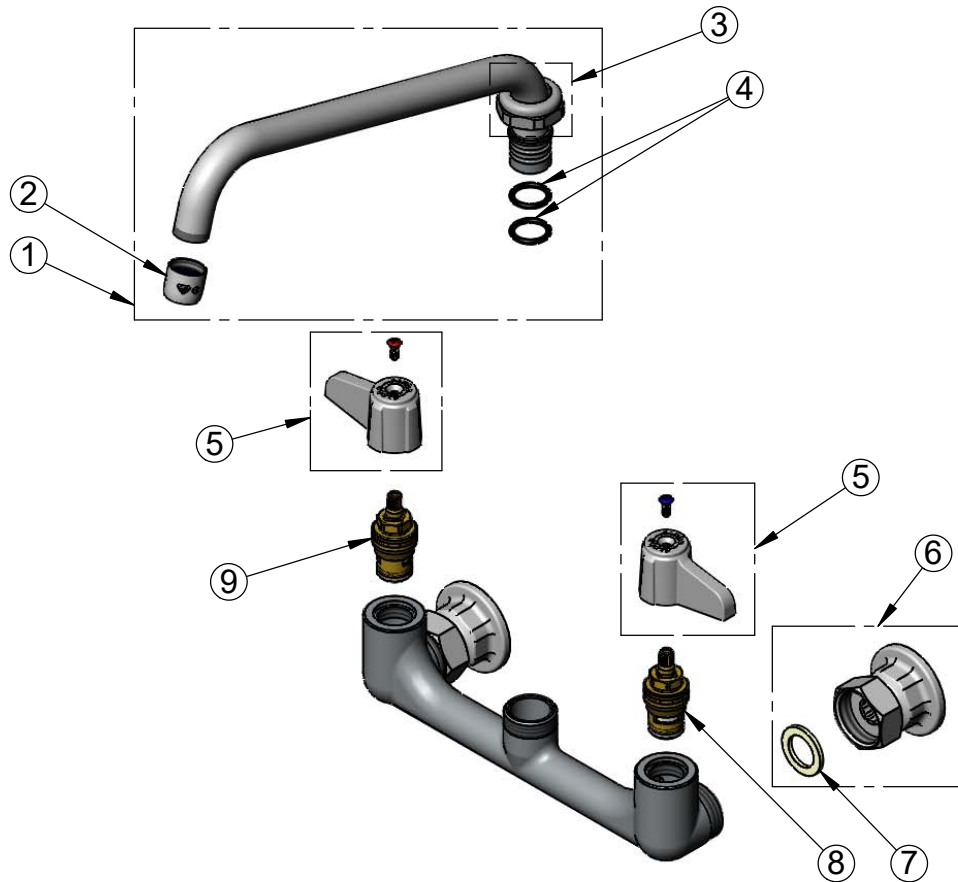
ASME A112.18.1 / CSA B125.1
NSF 61 - Section 9
NSF 372 (Low Lead Content)
ANSI A117.1 (ADA)

equip
Foodservice
Accessories



2 Saddleback Cove, P.O. Box 1088
Travelers Rest, South Carolina 29690
Phone: 800.891.4808 Fax: 800.868.0084
equip.tsbrass.com

ITEM NO.	SALES NO.	DESCRIPTION
1	5SP-10	10" equip Swing Nozzle
2	014250-45	Laminar Flow Device
3	013839-25	equip Swivel Nut
4	013848-45	O-Ring
5	5-HDL-L	equip Lever Handle w/ Color Coded Screws
6	00AA	1/2" NPT Female Eccentric Flange
7	001019-45	Coupling Nut Washer
8	013788-45	equip Ceramic Cartridge, LTC
9	013787-45	equip Ceramic Cartridge, RTC



Model Number

5F-8WLX10

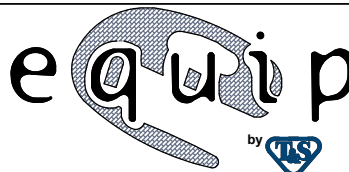
Product Specifications:

**8" Wall Mount Mixing Faucet, Quarter-Turn Ceramic Cartridges,
equip Lever Handles, 10" Swing Nozzle
& 1/2" NPT Female Inlets**

Product Compliance:

ASME A112.18.1 / CSA B125.1
NSF 61 - Section 9
NSF 372 (Low Lead Content)
ANSI A117.1 (ADA)

equip
Foodservice
Accessories



2 Saddleback Cove, P.O. Box 1088
Travelers Rest, South Carolina 29690
Phone: 800.891.4808 Fax: 800.868.0084
equip.tsbrass.com